

## Corporate Presentation

### Sample Work (2021 YTD)



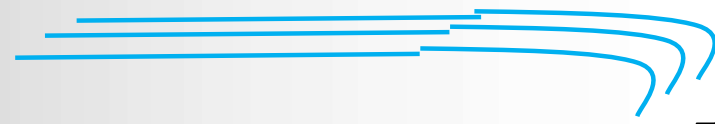
# Company Introduction

MechaFab Industries, based in Houston Texas, is committed to help your Company grow and succeed by supporting your machining and fabrication operations, and producing your most engineered complex components.

MechaFab Industries specializes in the production of custom made parts, weldments, tooling, fixtures, and machinery replacement components to enhance your Manufacturing or Assembly capabilities. We also offer Engineering and Design services to compliment your Manufacturing needs.



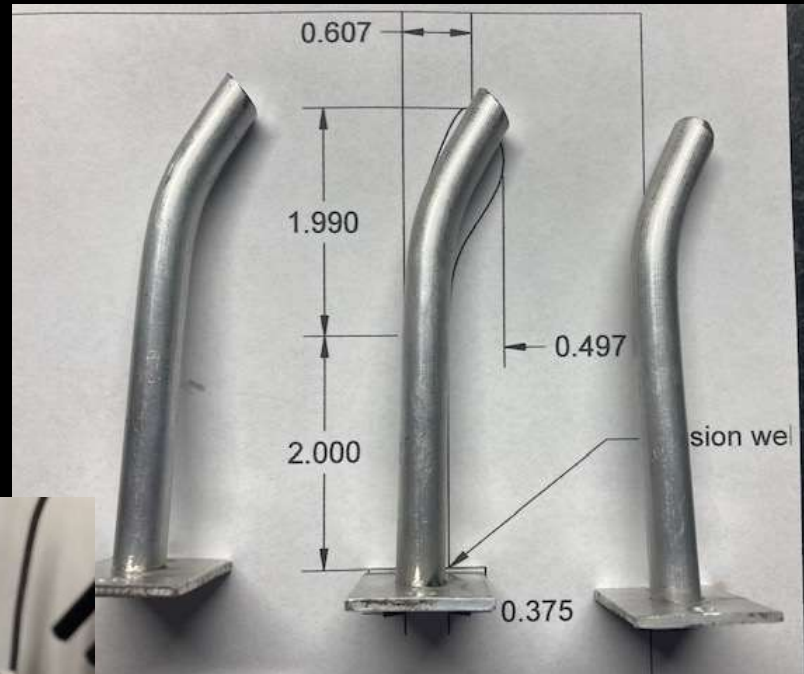
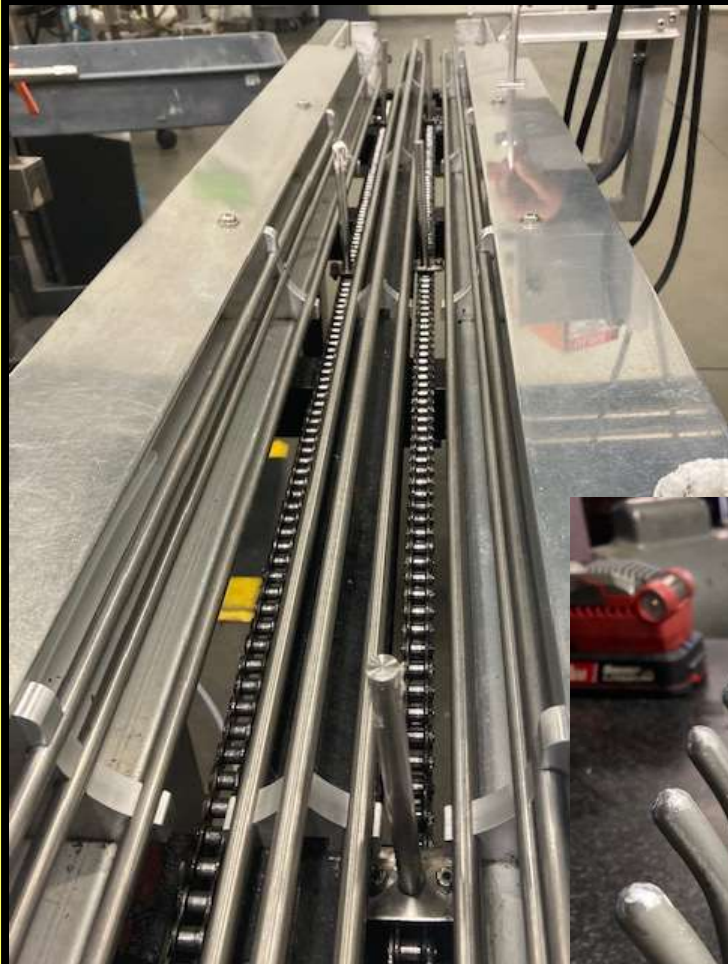
# Sample Work – Mach. – Fab. - Repair



# Sample Work – Mach.- Electropolishing



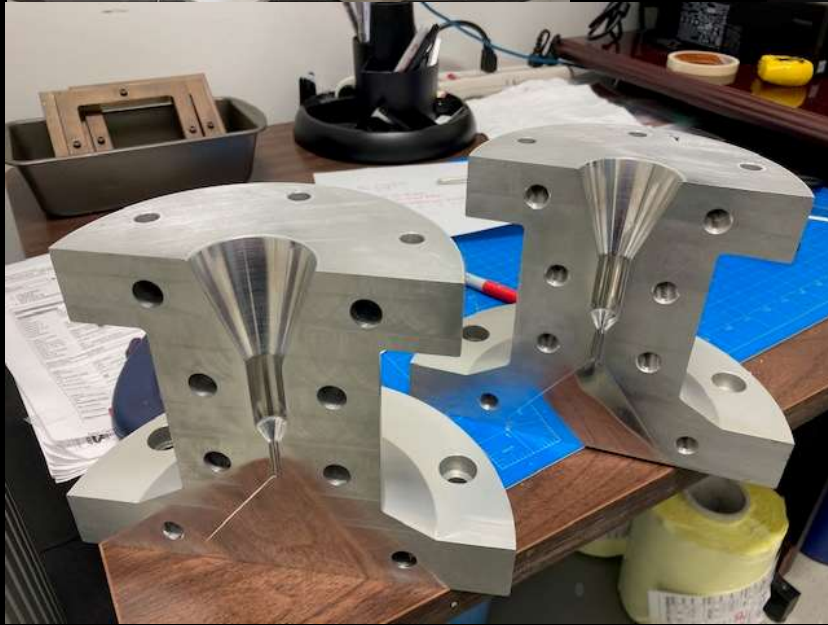
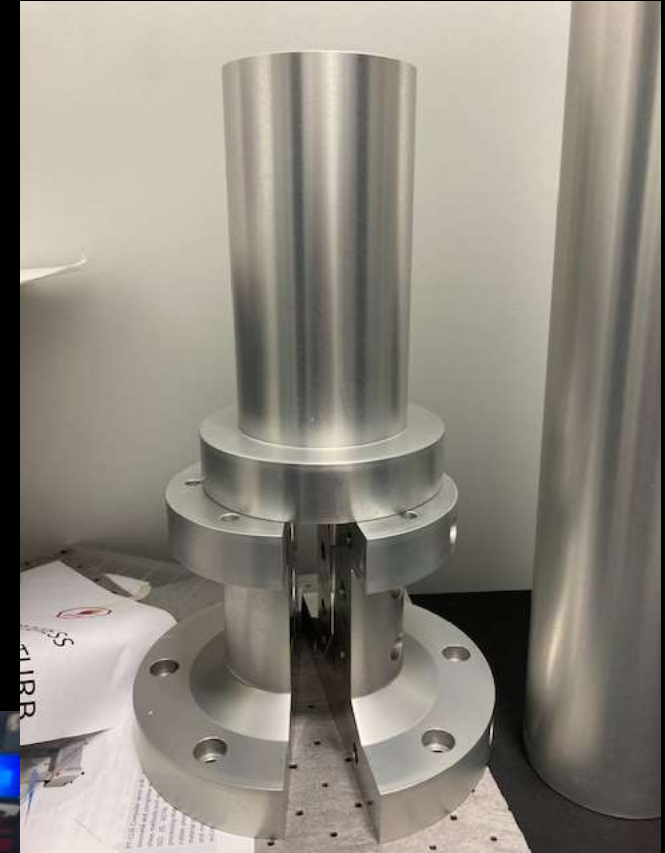
# Sample Work – Engr.- Fab.- Mach.



# Sample Work – Mach. - Tooling



# Sample Work – Mach. – Anod. - Tooling

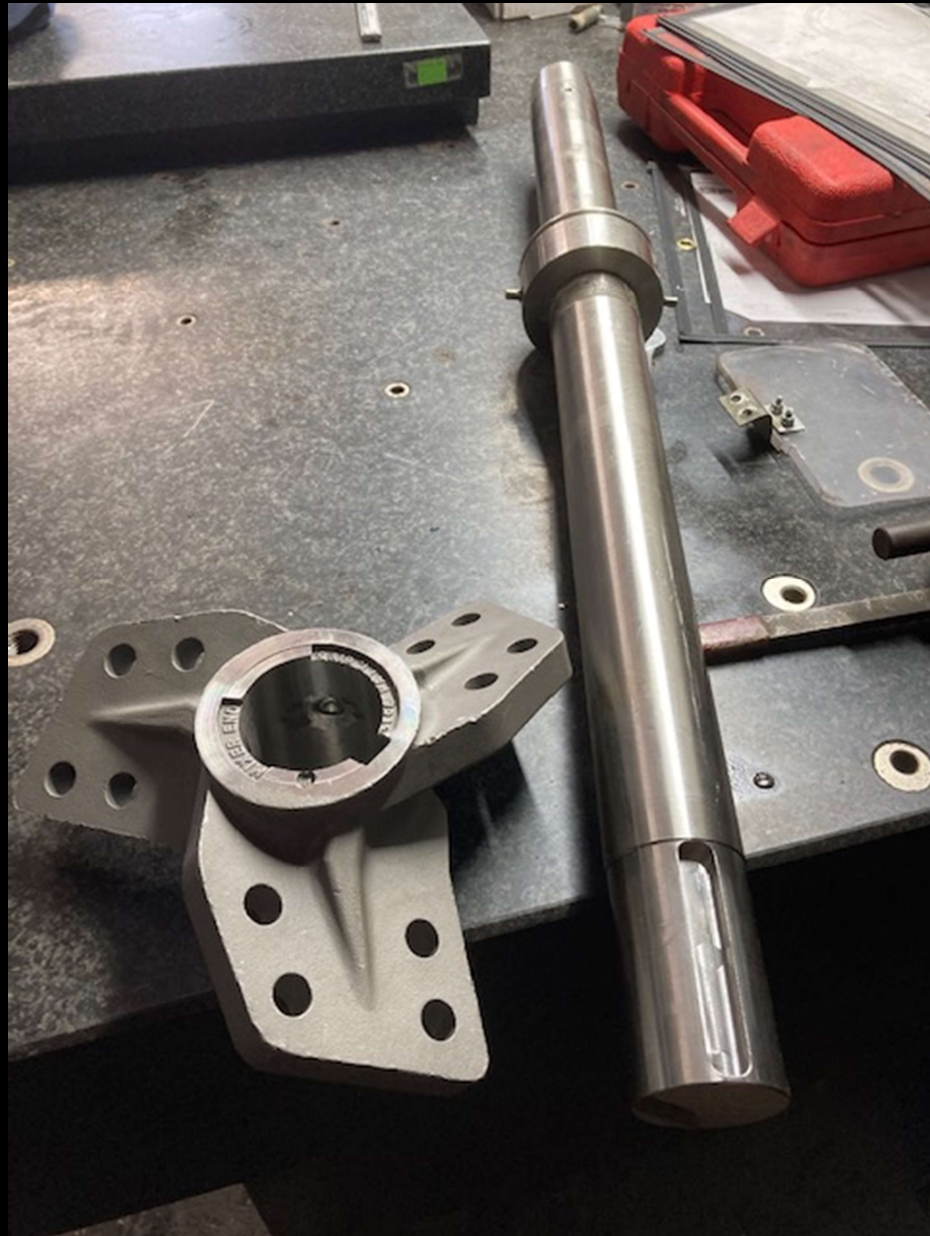


# Sample Work – Mach. – Thermal Spray

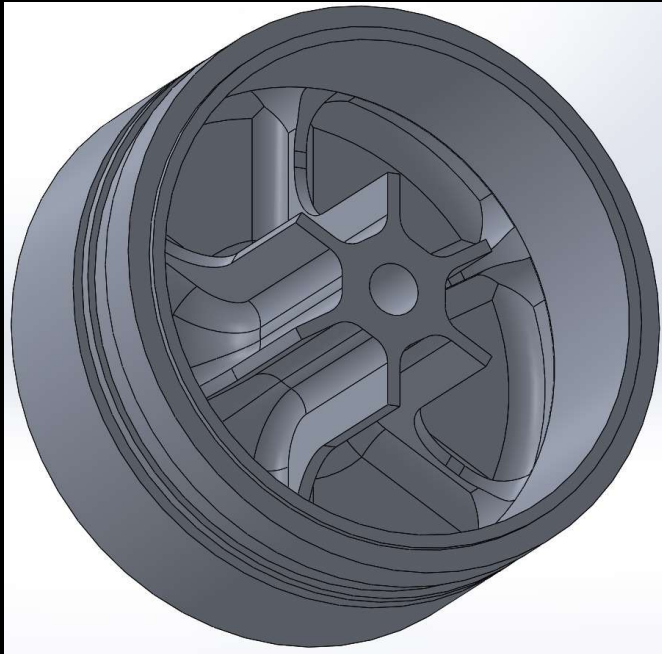




# Sample Work – Mach. - Repairs



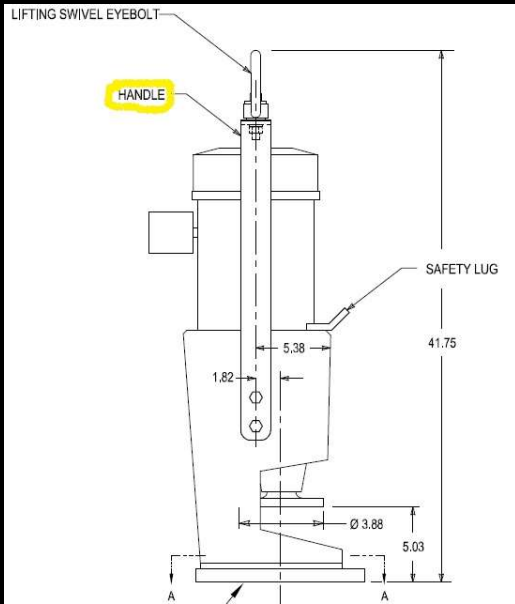
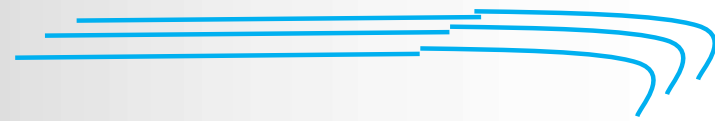
# Sample Work – Engr. - Mach. – Anod.



# Sample Work – Mach.



# Sample Work – Engr. - Mach. - Fab.



# Sample Work – Mach.



# Sample Work – Mach. - Tooling



# Sample Work – Mach.

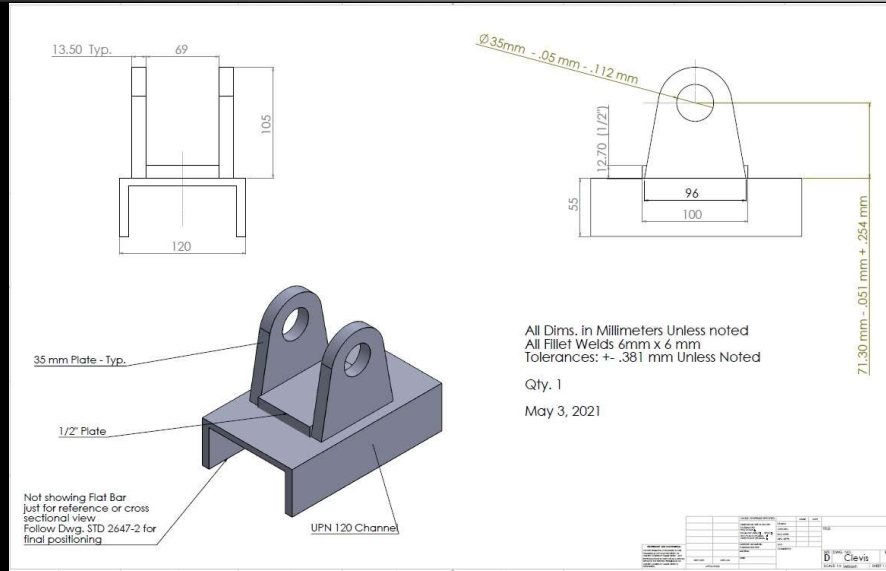


# Sample Work – Mach.





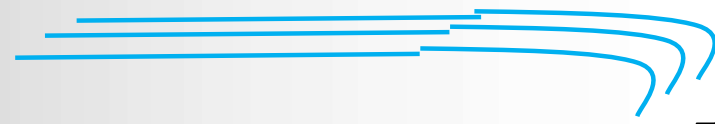
# Sample Work – Engr. - Mach. - Fab. – Galv.



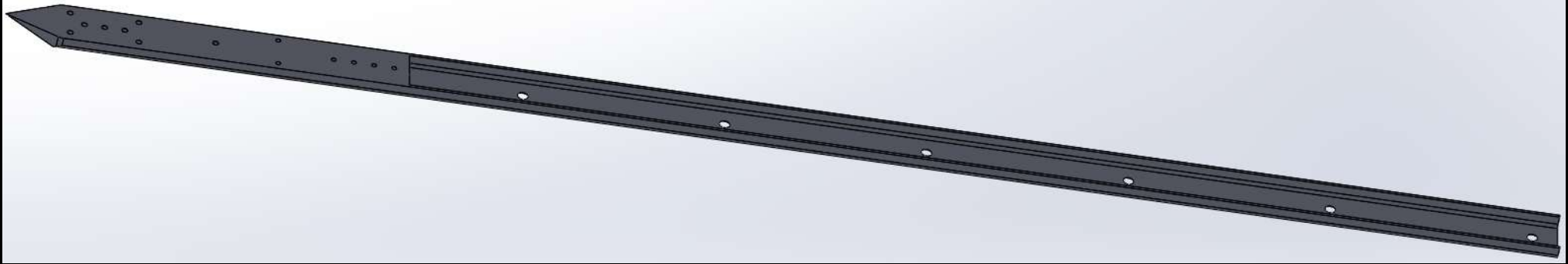
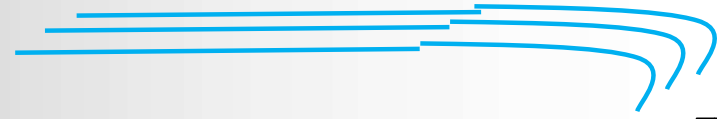
# Sample Work – Mach.



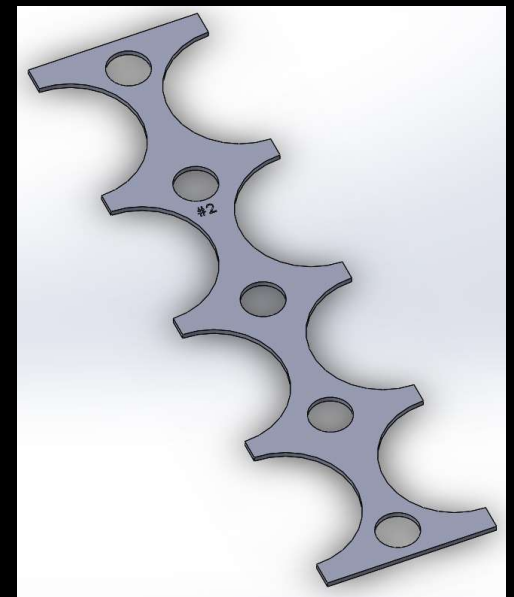
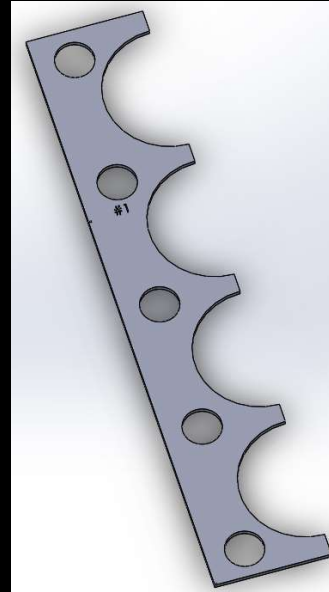
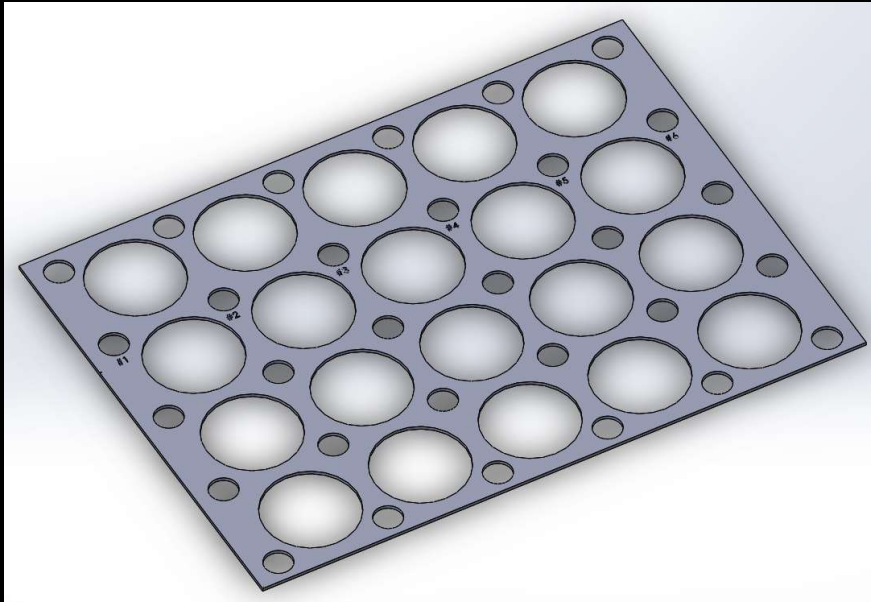
# Sample Work – Mach.



# Sample Work – Engr. - Mach. - Tooling



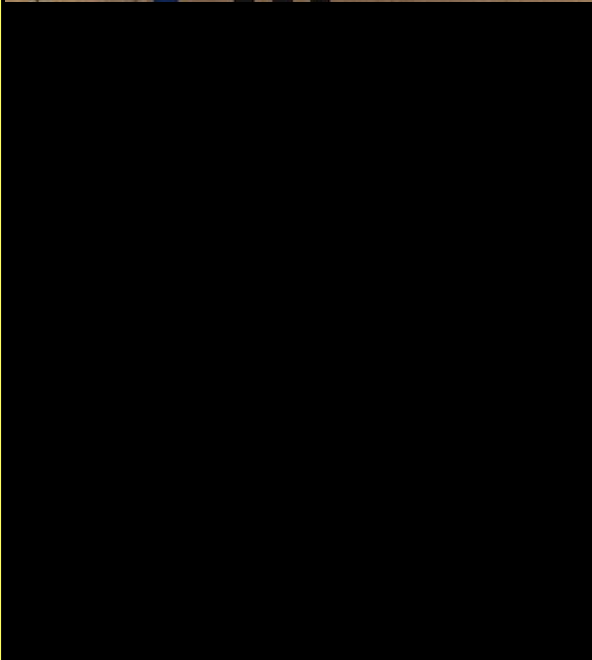
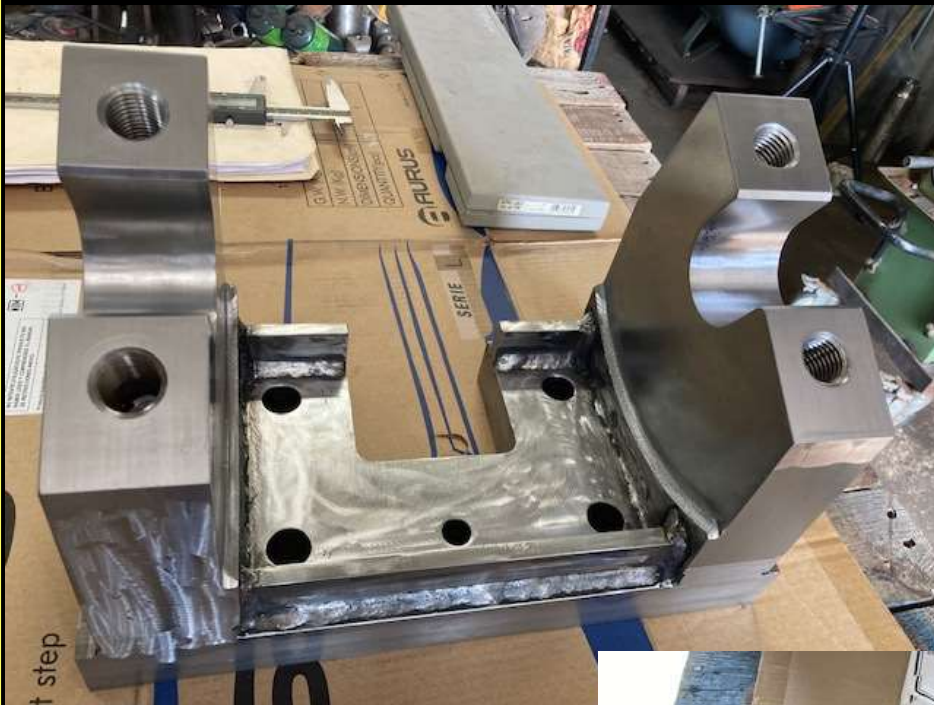
# Sample Work – Engr. - Mach. - Fab.



# Sample Work – Mach.



# Sample Work – Mach.

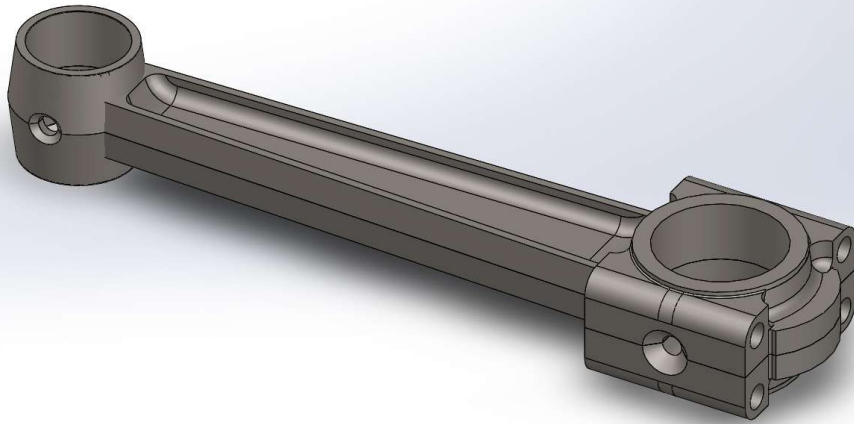


# Sample Work – Fab.

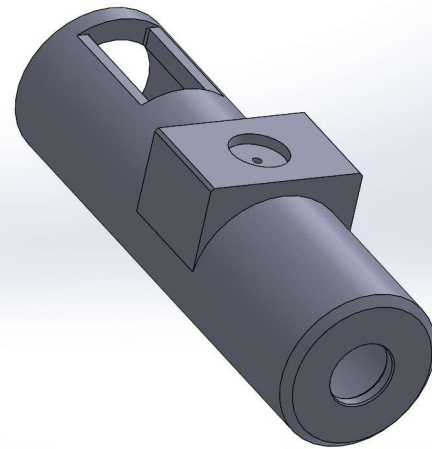




# Sample Work – Engr. - Mach. - Assy.



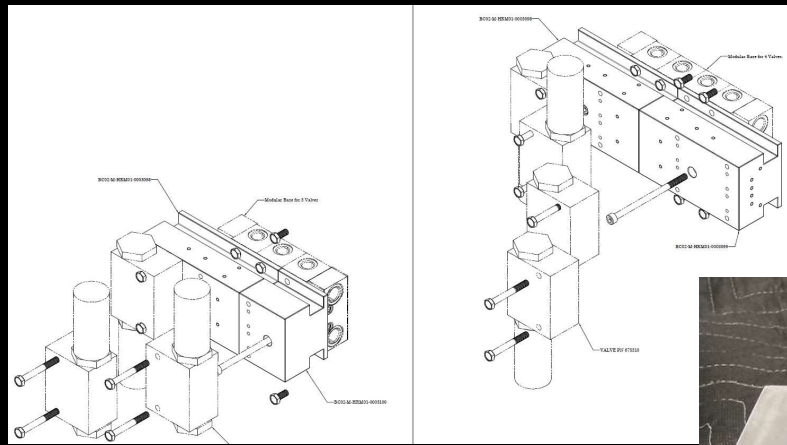
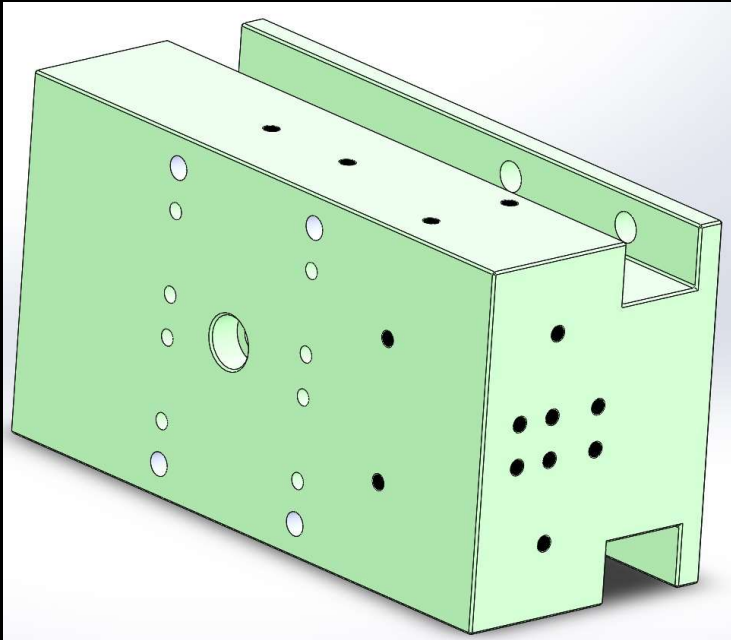
# Sample Work – Engr. - Mach.



# Sample Work – Engr. - Mach. - Repair



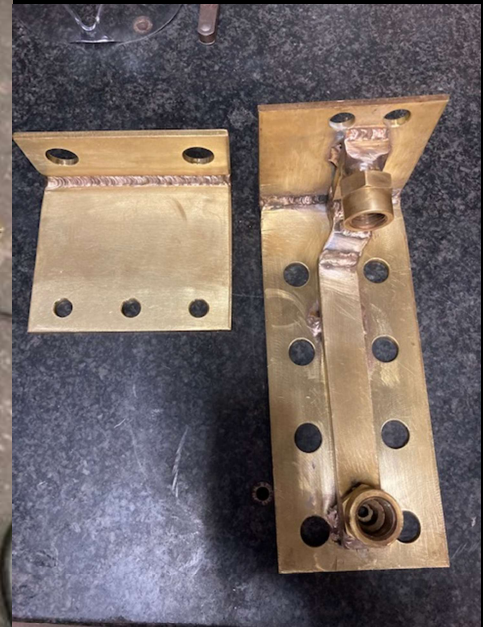
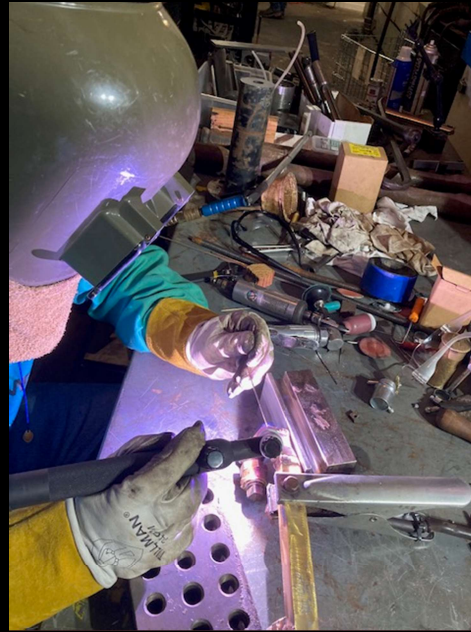
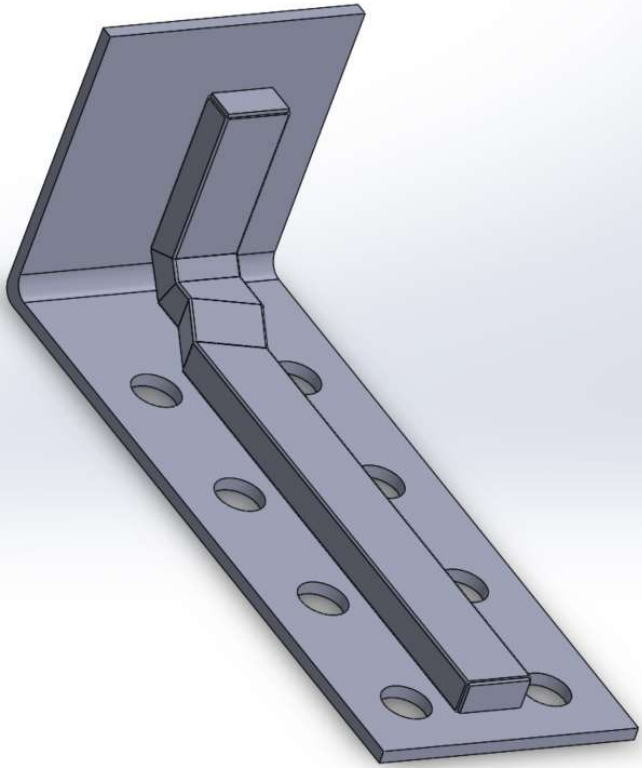
# Sample Work – Engr. - Mach.



# Sample Work – Engr. - Mach. - Repair



# Sample Work – Engr. - Mach. - Fab. - Tool.



# Sample Work – Mach. - Fab.



# Sample Work – Mach. – Chrome Pl.





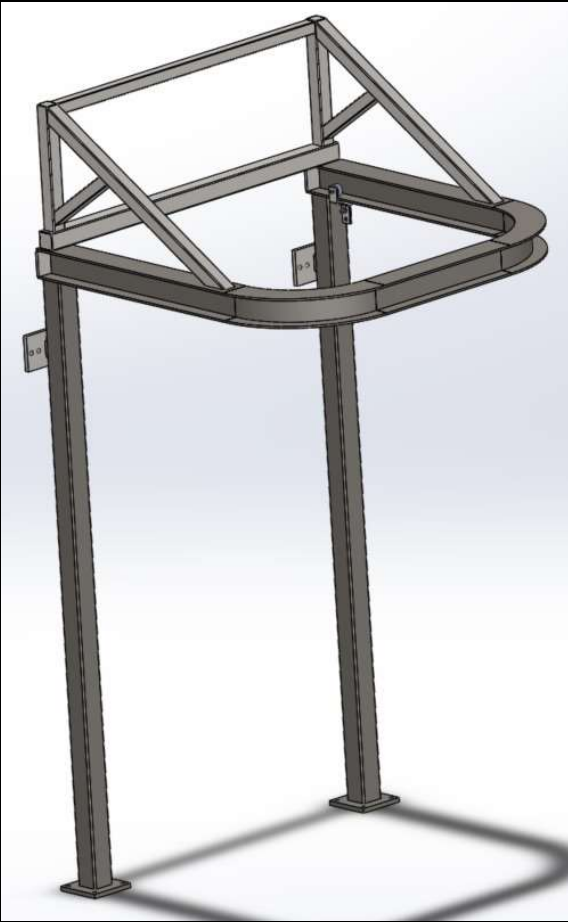
# Sample Work – Engr. - Mach. – Urethane



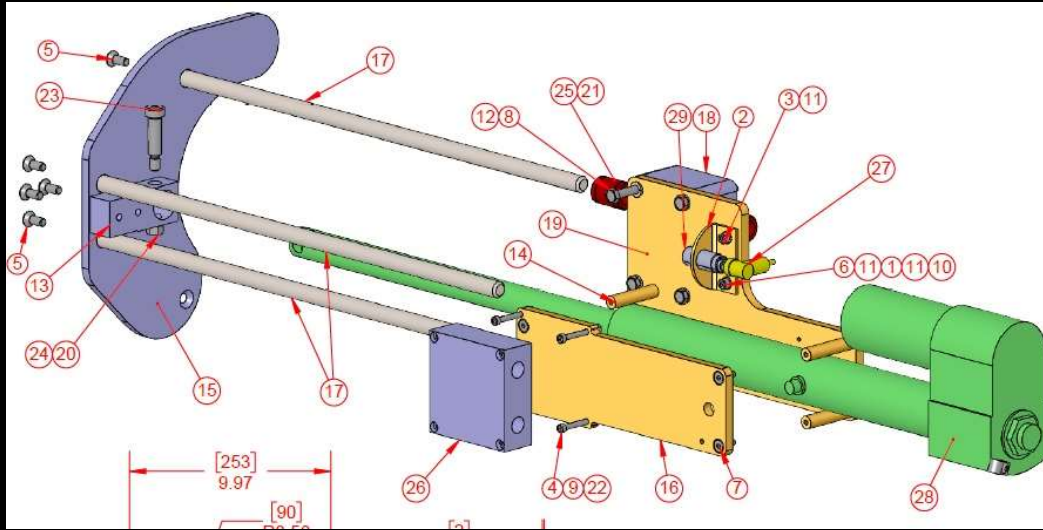
# Sample Work – Mach.



# Sample Work – Engr. - Mach. - Fab. – Assy.



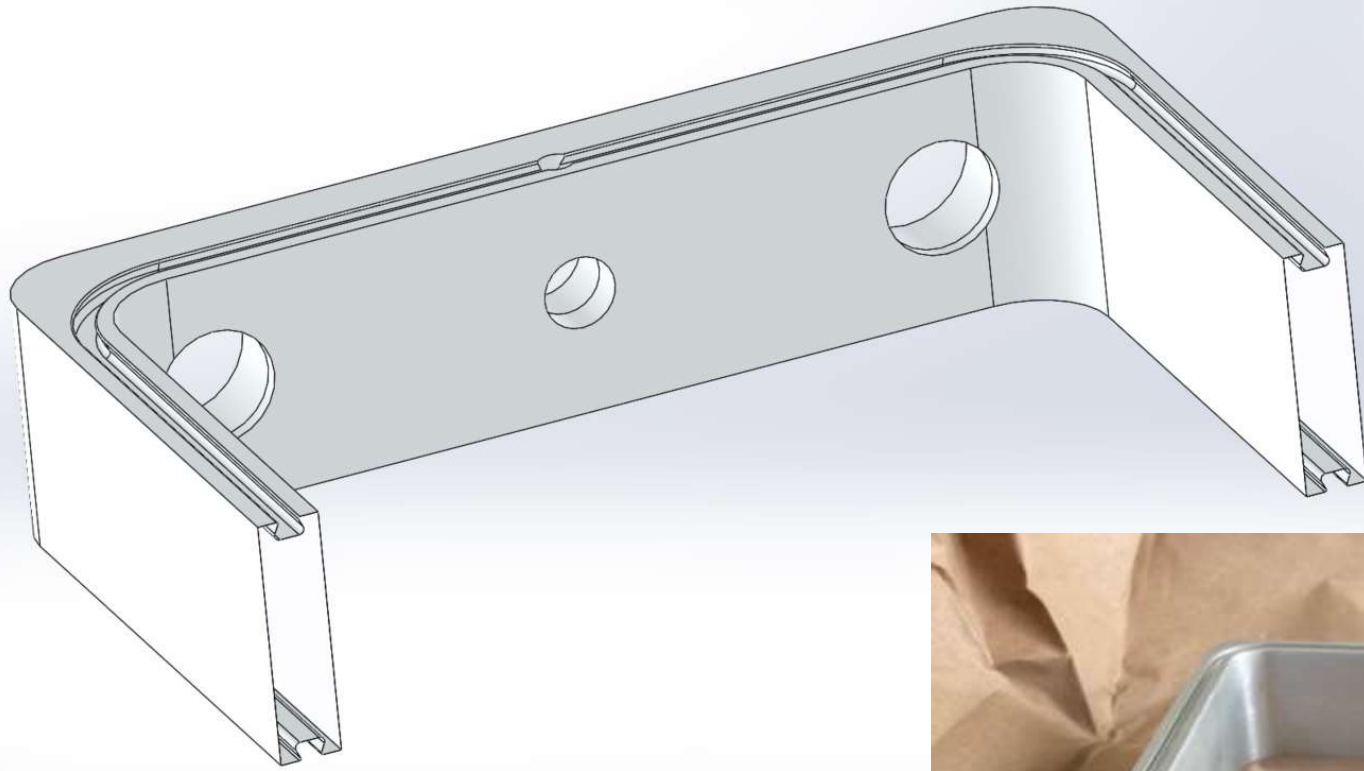
# Sample Work – Engr. - Mach.



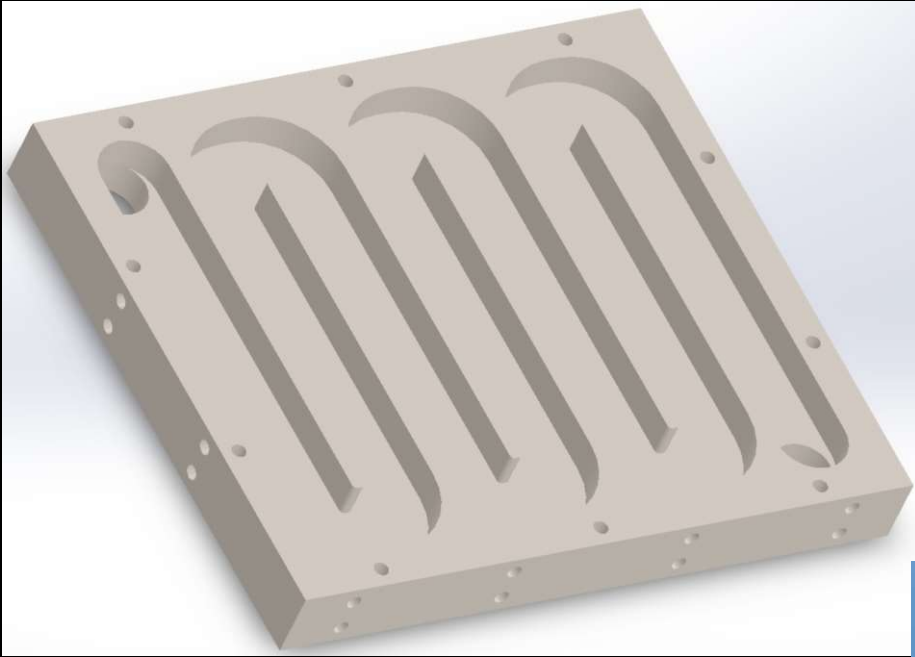
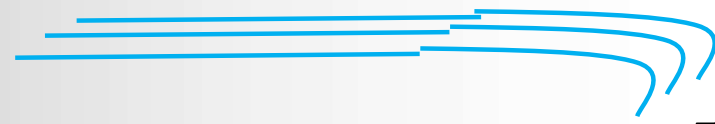
# Sample Work – Engr. - Mach.



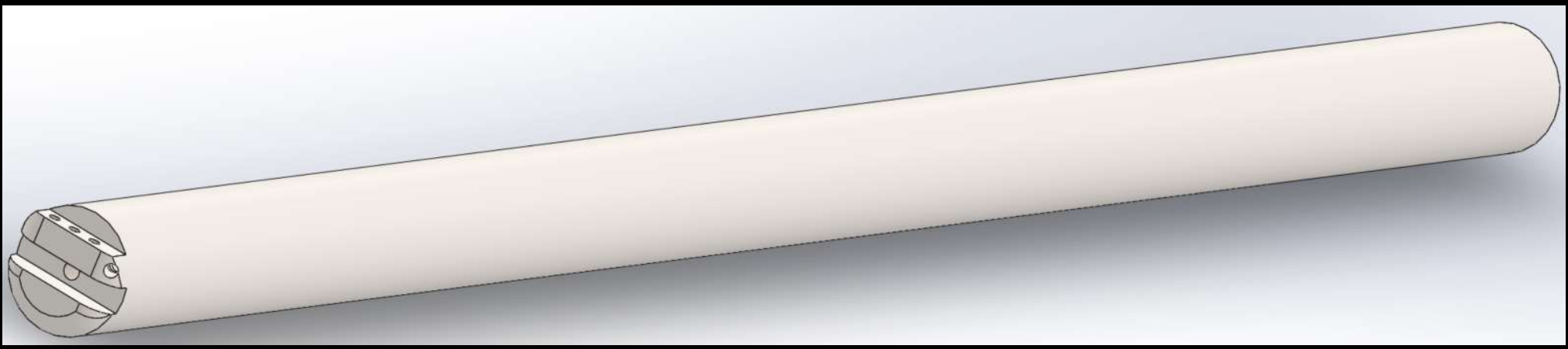
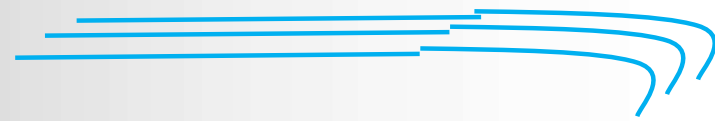
# Sample Work – Engr. - Mach. – Anod. – Tool.



# Sample Work – Engr. - Mach.

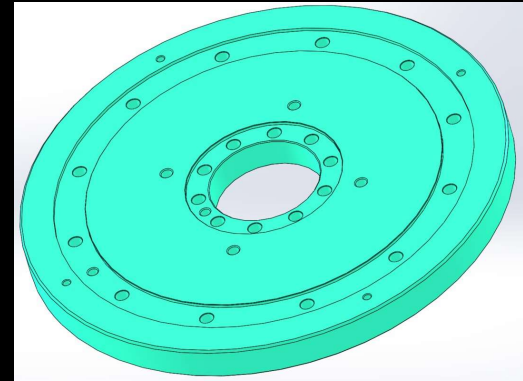
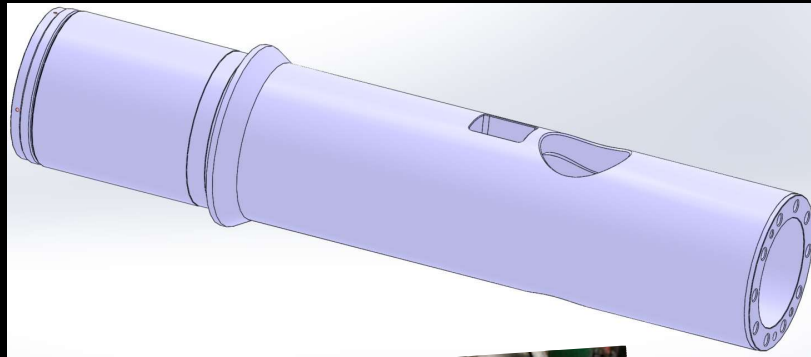
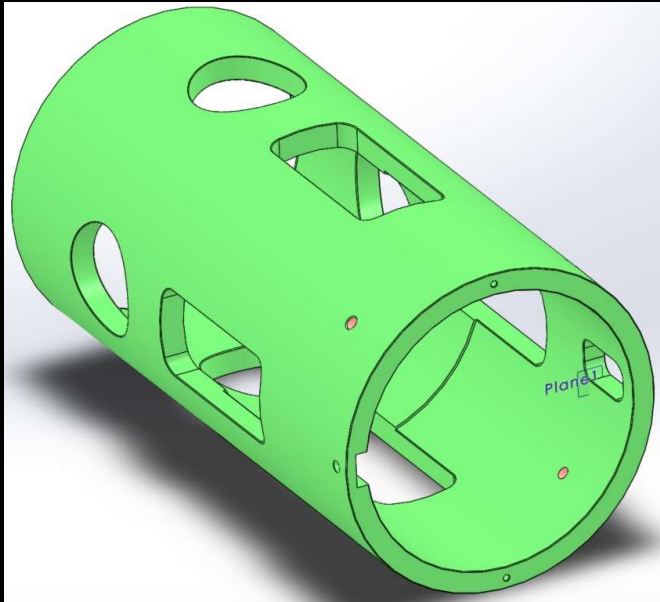
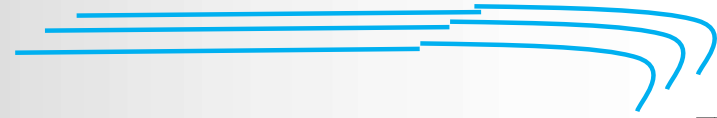


# Sample Work – Engr. - Mach. - Tooling

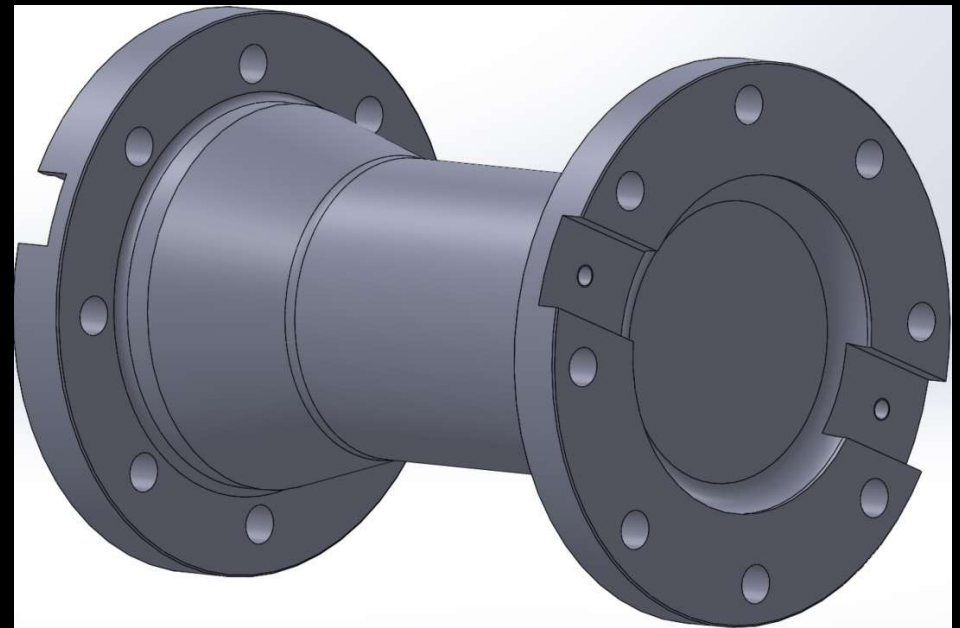
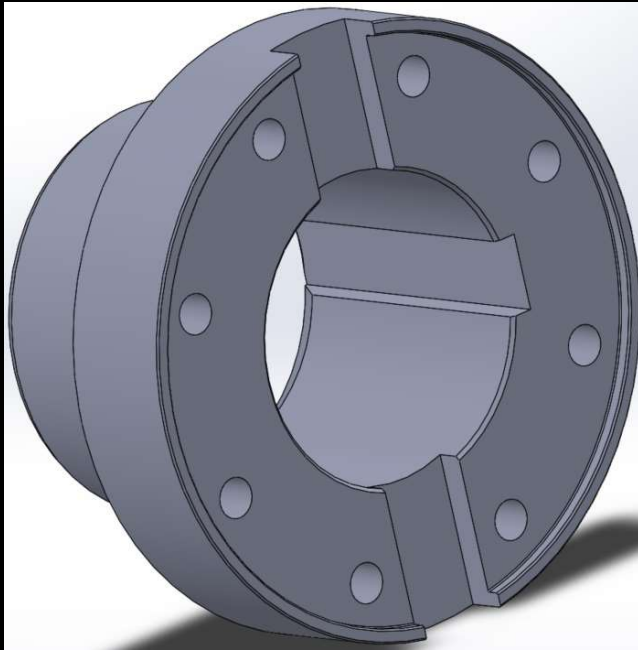




# Sample Work – Engr. - Mach. – Tooling



# Sample Work – Engr. - Mach. – Chr. Pl.



# The End



# Thank you